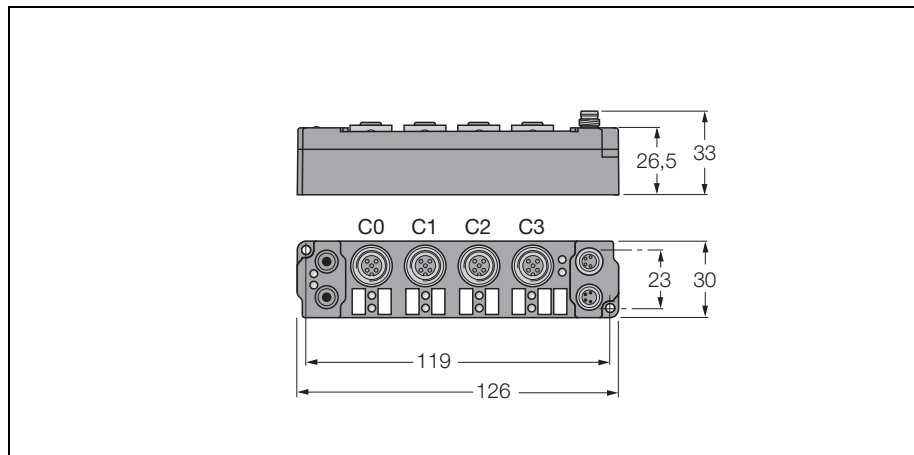
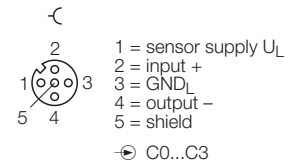


piconet extension module for IP link
4 analogue inputs 0...20 mA
SNNE-40A-0007



- direct connection to the IP link
- encapsulated plastic housing
- degree of protection IP67
- I/O connection 4 x M12 (5-pole)
- power connection 2 x M8 (IN/OUT)
- 4 analogue differential inputs 0...20 mA, 16 bit

fieldbus



Type	SNNE-40A-0007
Ident-No.	6824217
Operating/load voltage	24 (±15 %) VDC
Operating current	≤ 55 mA
Power connection technology	2 x M8
Inputs	
Number of channels	4 analogue Eingänge 20 mA
Input resistance	0,08 kOhm
Potential isolation	Kanäle zur Betriebsspannung
Connection technology	4 x M12
Common mode voltage	max. 35 V
Measuring current	0,5 mA
Conversion time	250 ms
Relative measuring error	< +- 0.3 % of full scale
Input filter	variabel
Sensor supply	aus Lastspannung
LEDs	
Module	grün/rot - betriebsbereit/Modul-, IP-Linkfehler
Inputs	grün/rot - bedämpft/Kurzschluss
Fibre optic length	= 15 m
Dimensions	30 x 126 x 26.5 mm
Operating temperature	0 bis 55 °C
Storage temperature	-25 bis 85 °C
Vibration check	gemäß DIN EN 60068-2/2-27
Shock testing	gemäß DIN EN 60068-2/2-27
Electromagnetic compatibility	gemäß DIN EN 50082-2/EN 50081-2
Degree of protection	IP67

piconet extension module for IP link
4 analogue inputs 0...20 mA
SNNE-40A-0007

TURCK

Industrial
Automation

Data in process image